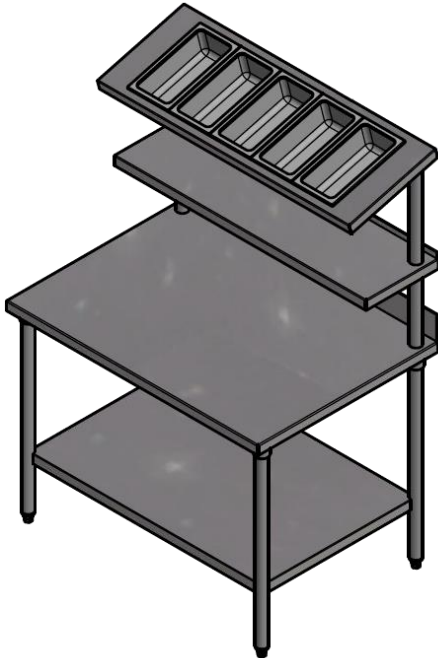




Item#: _____
Quantity: _____
Model #: STRS-42
Project #: _____

Starter / Waitress Station



Standard Features:

- 42" wide x 30" deep 14 gauge stainless steel work surface with 4" turn-up back splash
- 12" deep shelf with 1" turn-up mounted at 12" above work surface
- Angled top-shelf hold (5) 1/3-size or multiple configurations of food pans and an angle for easy access
- Stainless steel under-shelf for backup product storage
- Adjustable bullet feet
- Pans and adapter bars not included
- All welded 304 stainless steel construction
- Made in the U.S.A.

Model #: STRS-42

Shown with (5) 1/3-size pans. Pans and adapter bars not included.

Product Specification:

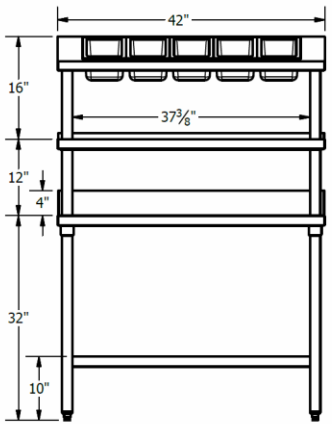
Steril-Sil model #STRS-42 starter/waitress station. 42" wide x 30" deep 14 gauge stainless steel work surface with 4" turn-up back-splash. Integrated over-shelves include (1) 12" deep shelf with 1" turn-up and (1) angled shelf to hold (5) third-size food pans or any multiple combinations of fractional pans with the use of adapter bars. Food pan shelf is angled for easy access to contents. Base includes stainless steel under-shelf for storage of back-up items. Unit is welded, 304 series stainless steel. Overall dimensions are 42" x 30" x 60". Pans or adapter bars not included. Made in the U.S.A.

Notes:

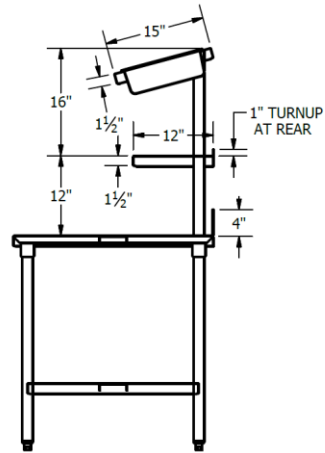
Steril-Sil Company, LLC
Phone: 800-784-5537
Fax: 617-739-5063
Email: quotes@sterilsil.com
www.sterilsil.com



Starter / Waitress Station (cont'd)

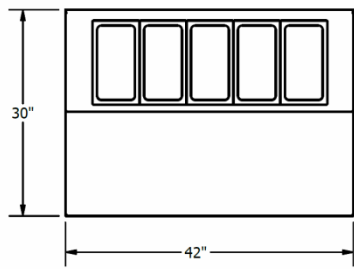


Model #: STRS-42
(Elevation)



Model #: STRS-42
(Section)

Model #: STRS-42
(Plan)

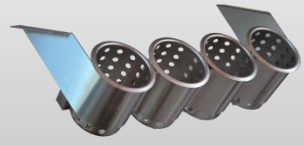


STRS-42 Starter / Waitress Station

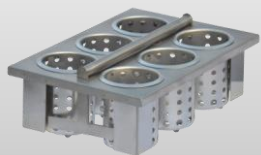
Designed to maximize worker efficiency and space utilization

Model #	Description	Hotel Pans	Length	Depth	Height
STRS-42	Starter / Waitress Station, 42" x 30" work 14 ga. top, (1) 12" over-shelf and (1) angled over-shelf to hold (5) 1/3-size pans	(5) 1/3-size pans	42.00"	30.00"	60.00"

Additional Available Dispensers:



UB-4SS
Under-Bar Dispenser



E1-BS6OE-SS
E1 Drop-In Silverware basket



CC-LTC-4BR
4-hole Insulated Bottle Rail
(bottles by others)



CRT24-3TP
24" Multi-Purpose Open Cart
(pans by others)